

HUAHENG

广告代理商品牌集
001-347334973



HUAHENG



智能制造



HU

1588

0512-87880705

华恒

有限

COMPANY

ABOUT US 关于我们



2008

500

6600

30000

190

80

40%



\$" " *



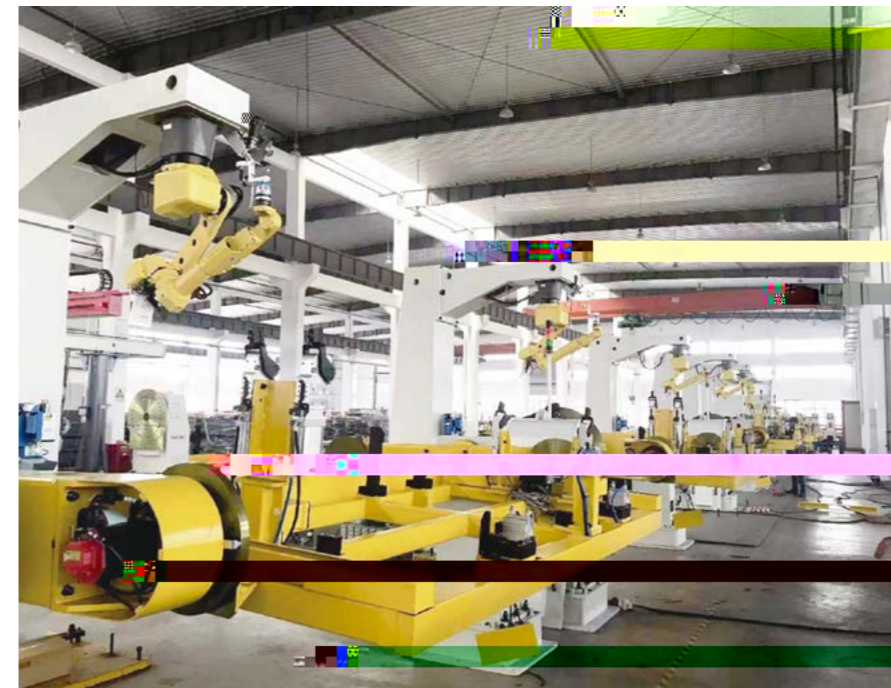
! " " "



% " " " "



+ " "

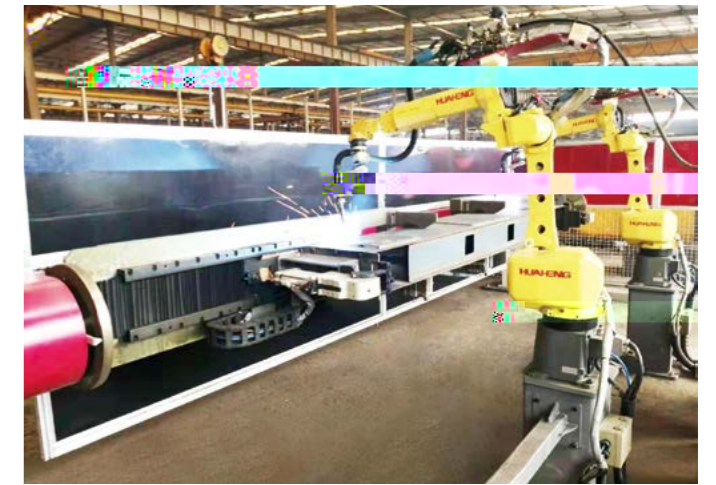
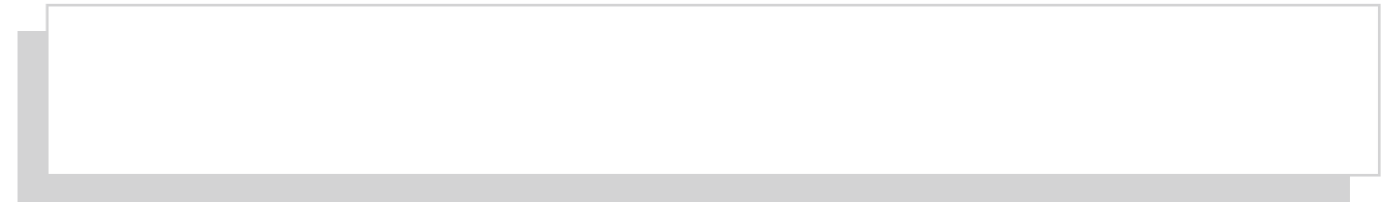


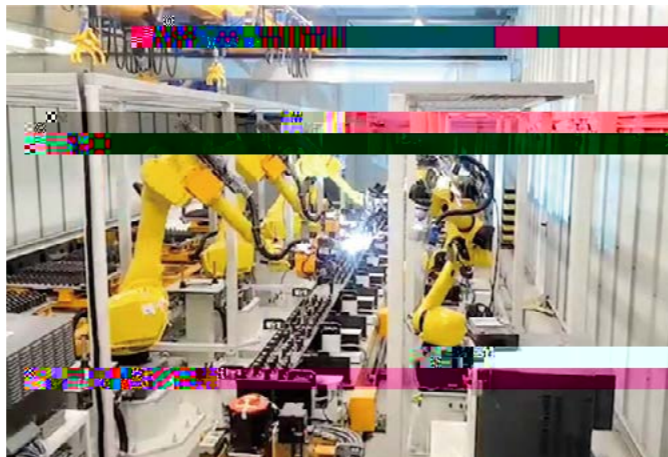
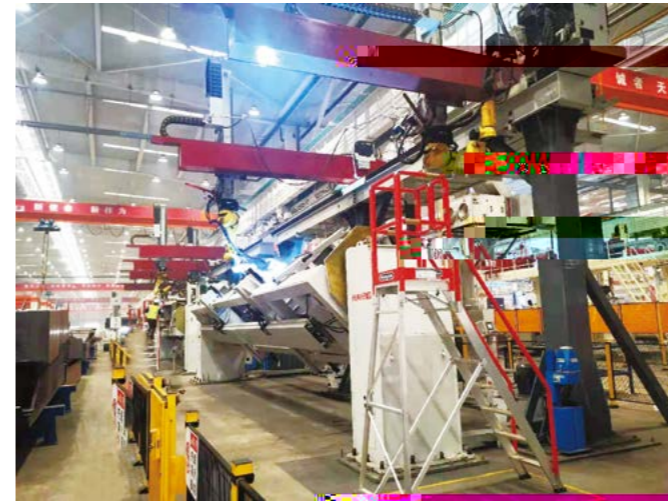


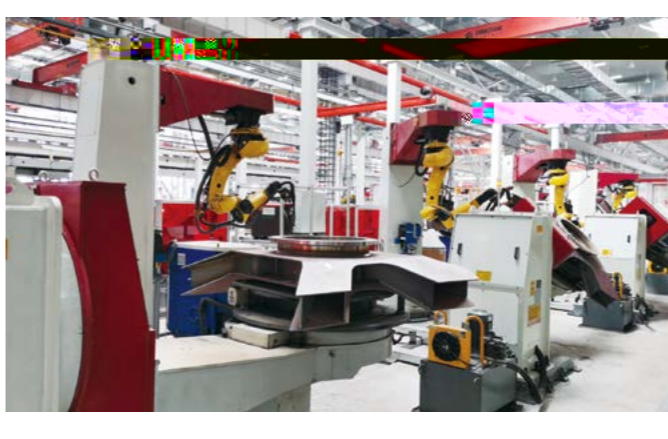
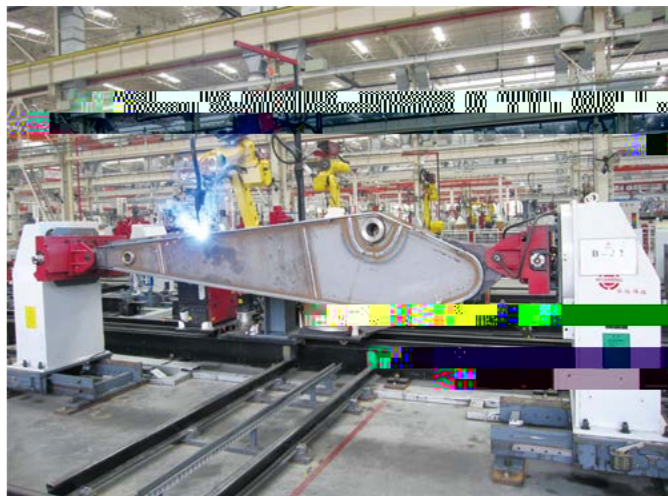
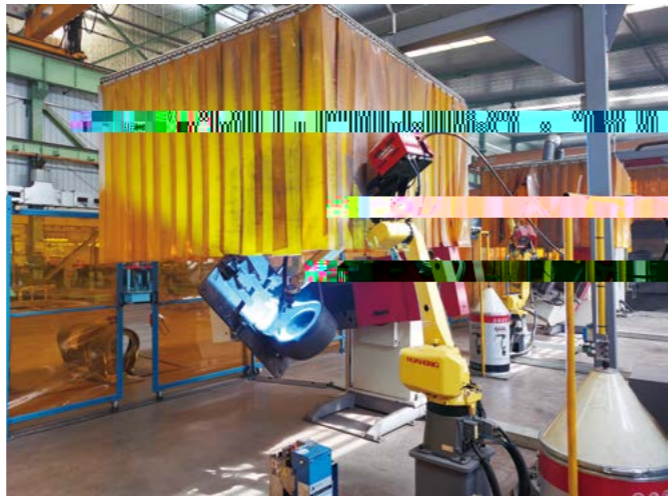
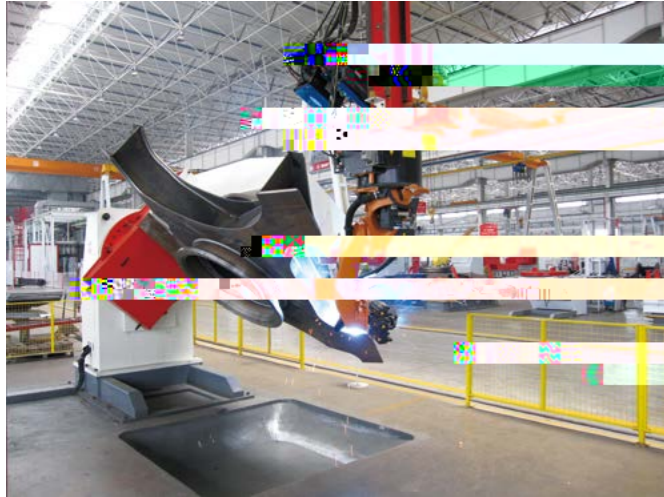
资

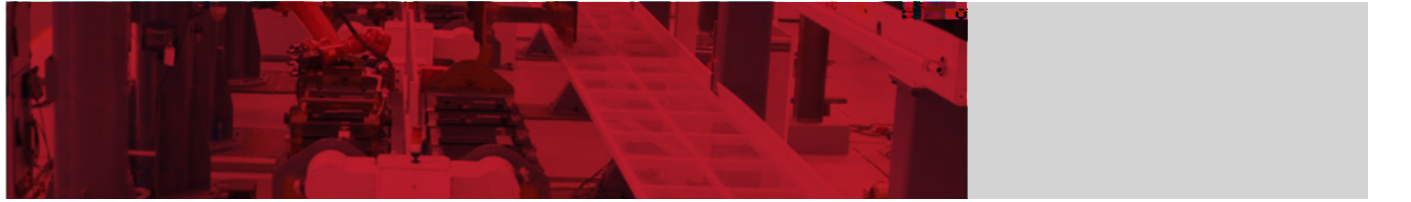


INTELLIGENT MANUFACTURING





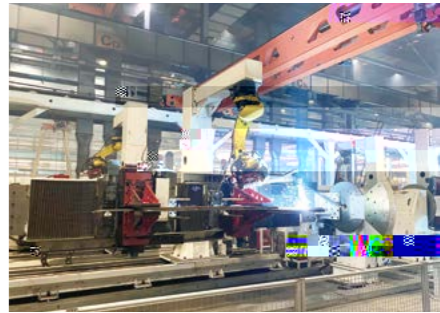
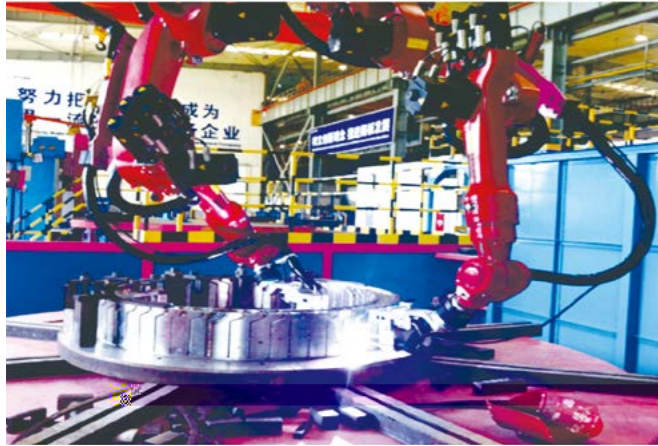






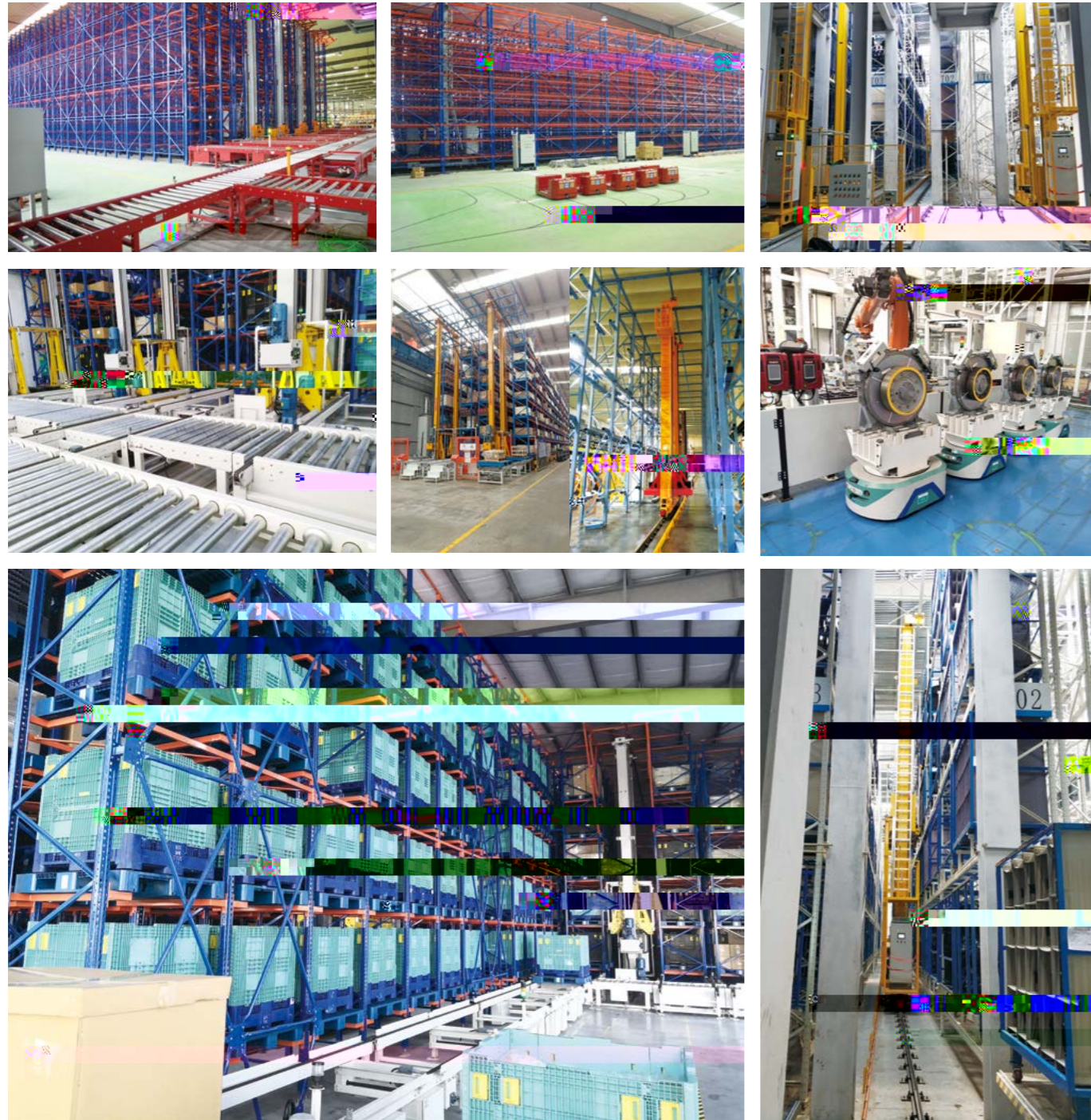
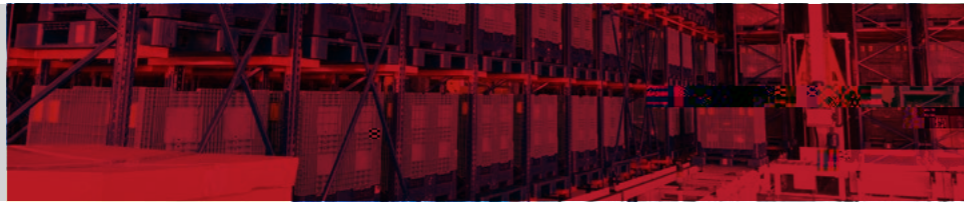
大国重器 华恒智造

Great Power, Made By Huaheng

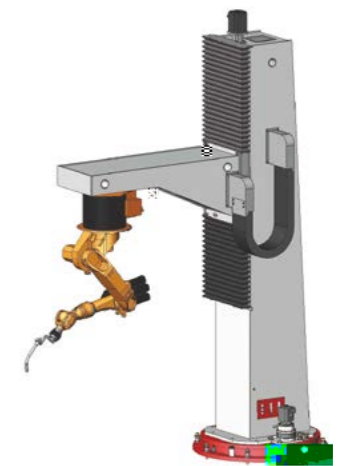




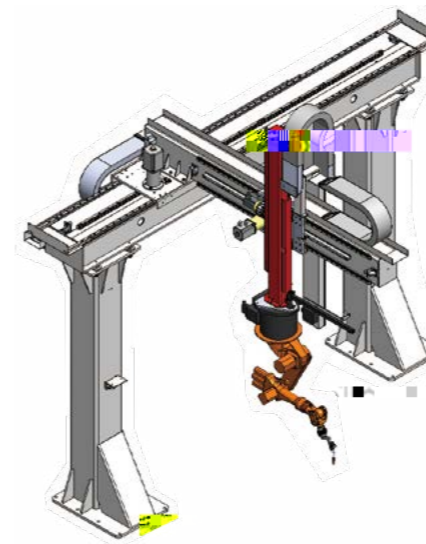
智能仓储物流



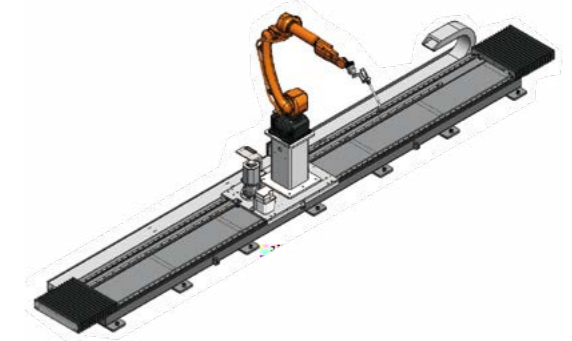
	C	HCS12			
--		4000	5000	6000	7000
--		1500		2000	
		f 0.1_ _			



	C	HCS23			
		f 185,			
		f 1.5act_ i			
--		1500		2000	
		f 0.1_ _			

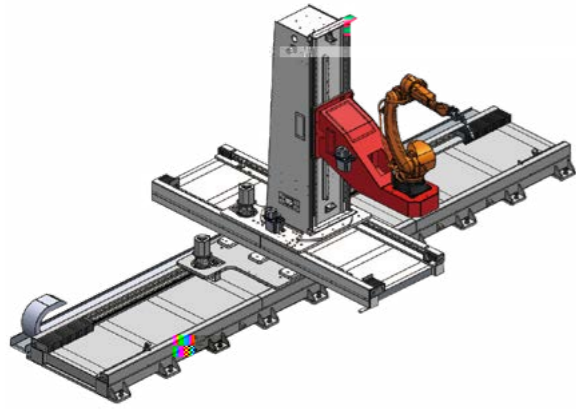


	3	HLVO3-123			
X	--	4000	5000	6000	7000
Y	--	2000			
Z	--	1500		2000	
		f 0.1_ _			

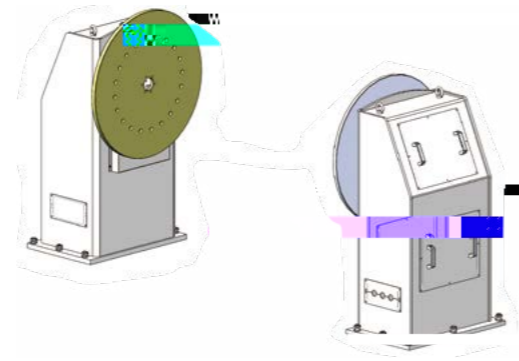


		HLV10				
--		2000	3000	4000	5000	6000
		f 0.1_ _				

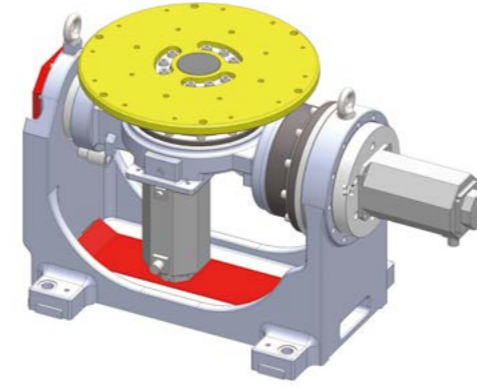
*



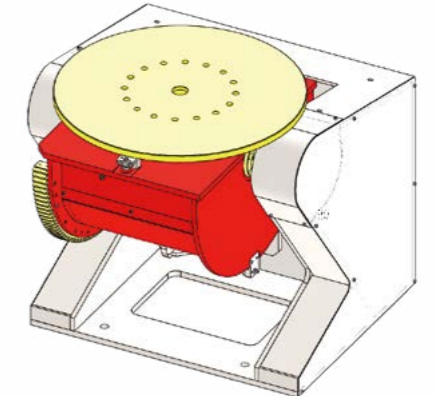
%		: >H%' Ž#\$%			
X	--	4000	5000	6000	7000
Y	--	2000			
Z	--	1500	2000		
		<i>f</i> 0.1_ _			
*					



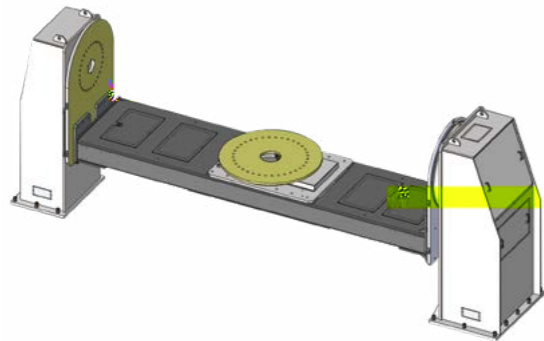
: 6H							
<i>l</i> g							
1000	2500	3500	5000	10000	15000	20000	
<i>f</i> 1.5act_ i`							



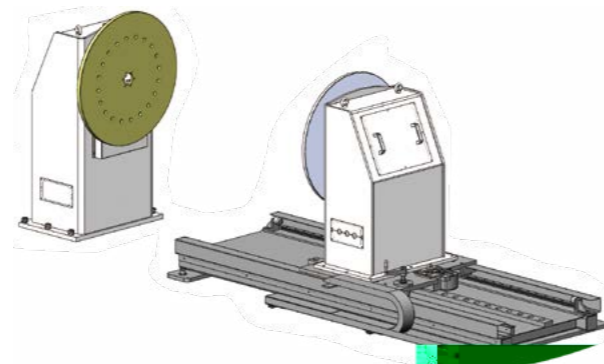
: 6=	
<i>l</i> g	500
<i>f</i> 1.5act_ i`	



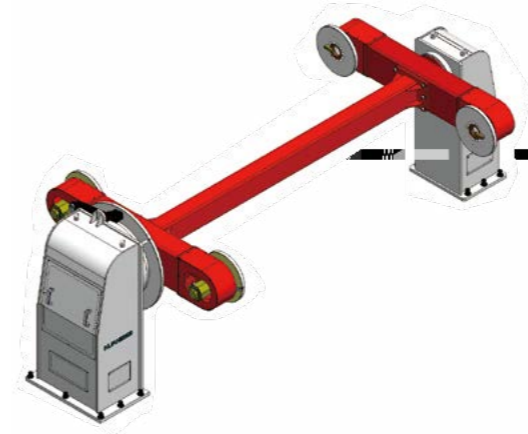
: 6=	
<i>l</i> g	1000 2500
<i>f</i> 1.5act_ i`	



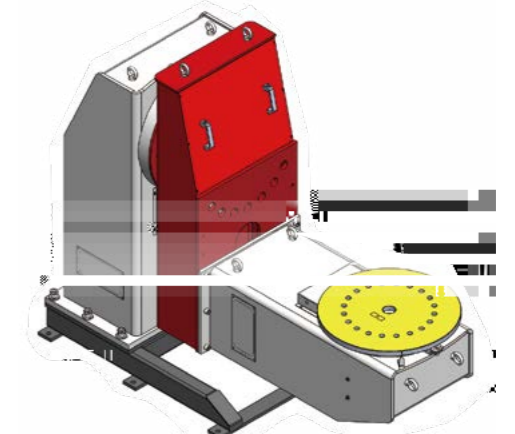
\$: 6HE		
<i>l</i> g	10000	15000	20000	
<i>f</i> 1.5act_ i`				



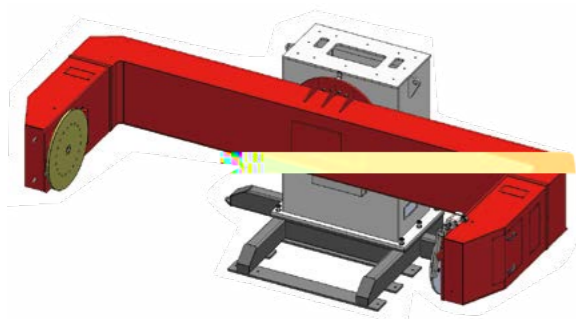
: 6Hh							
<i>l</i> g							
1000	2500	3500	5000	10000	15000	20000	
<i>f</i> 1.5act_ i`							



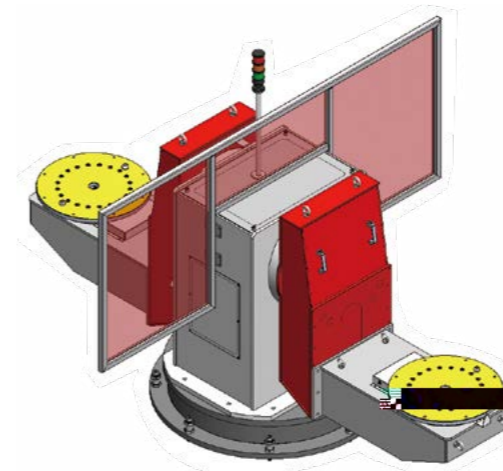
%	
<i>l</i> g	1000
<i>f</i> 1.5act_ i`	



>		: 6E				
<i>l</i> g						
1000	2500	3500	5000	10000		
<i>f</i> 1.5act_ i`						

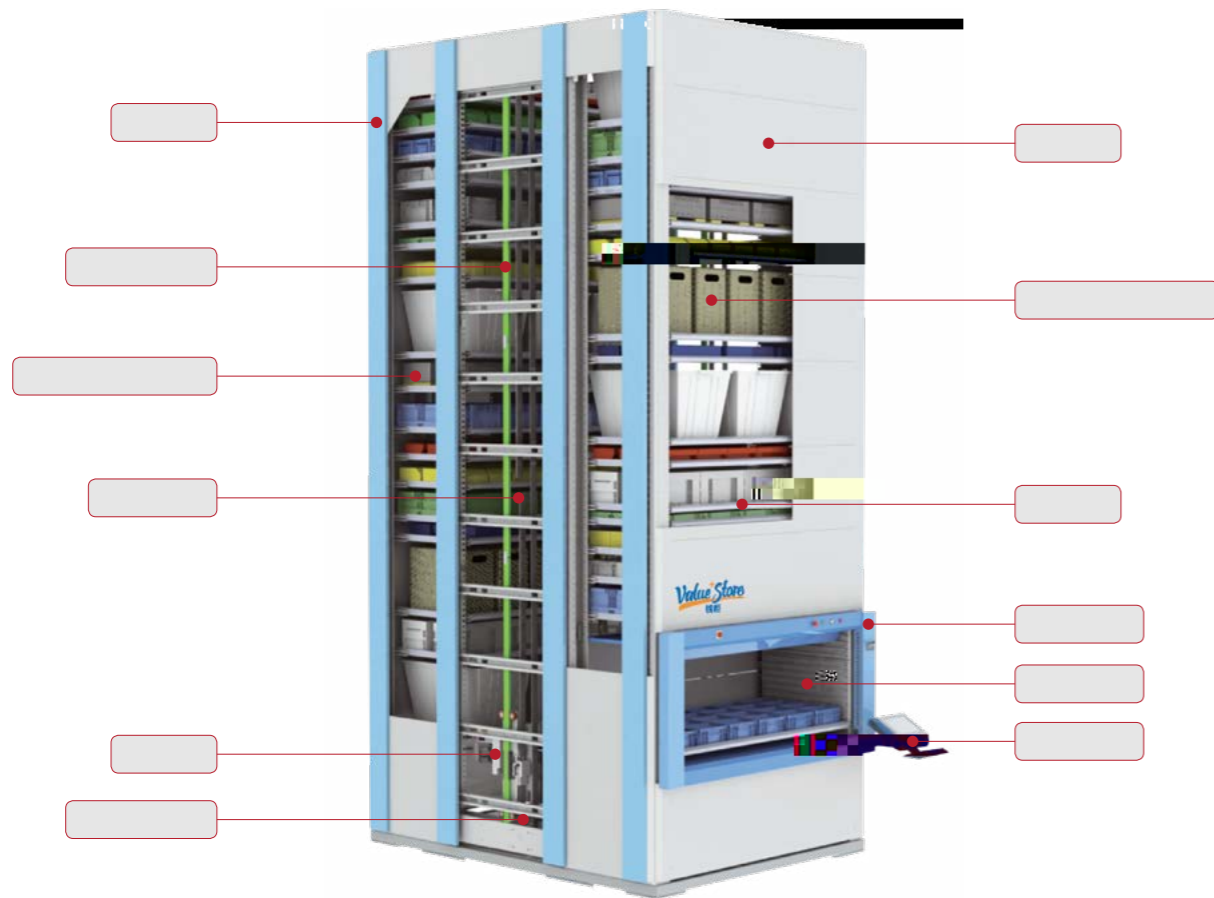
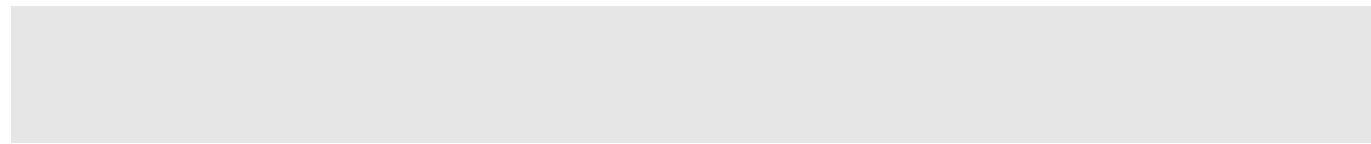


5		: 65		
<i>l</i> g				
1000	2500	3500	5000	10000
<i>f</i> 1.5act_ i`				

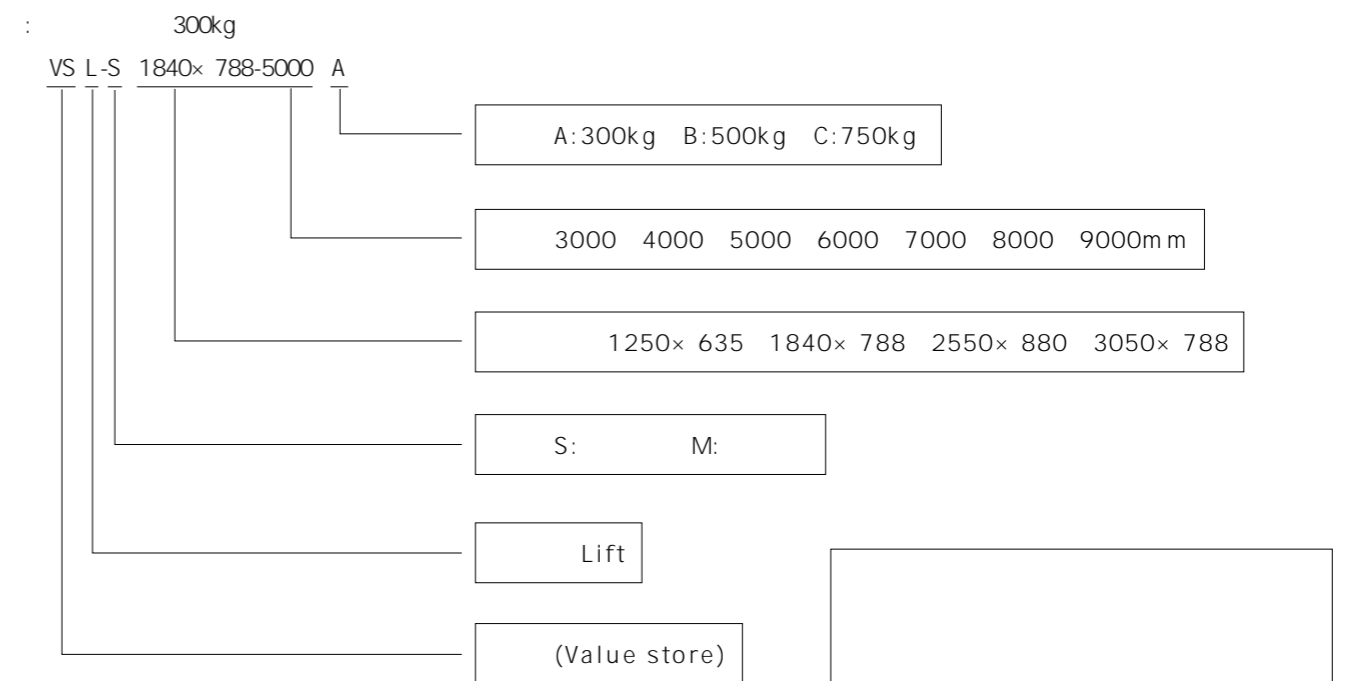


' >	
<i>l</i> g	1000
<i>f</i> 1.5act_ i`	

INTELLIGENT STORAGE



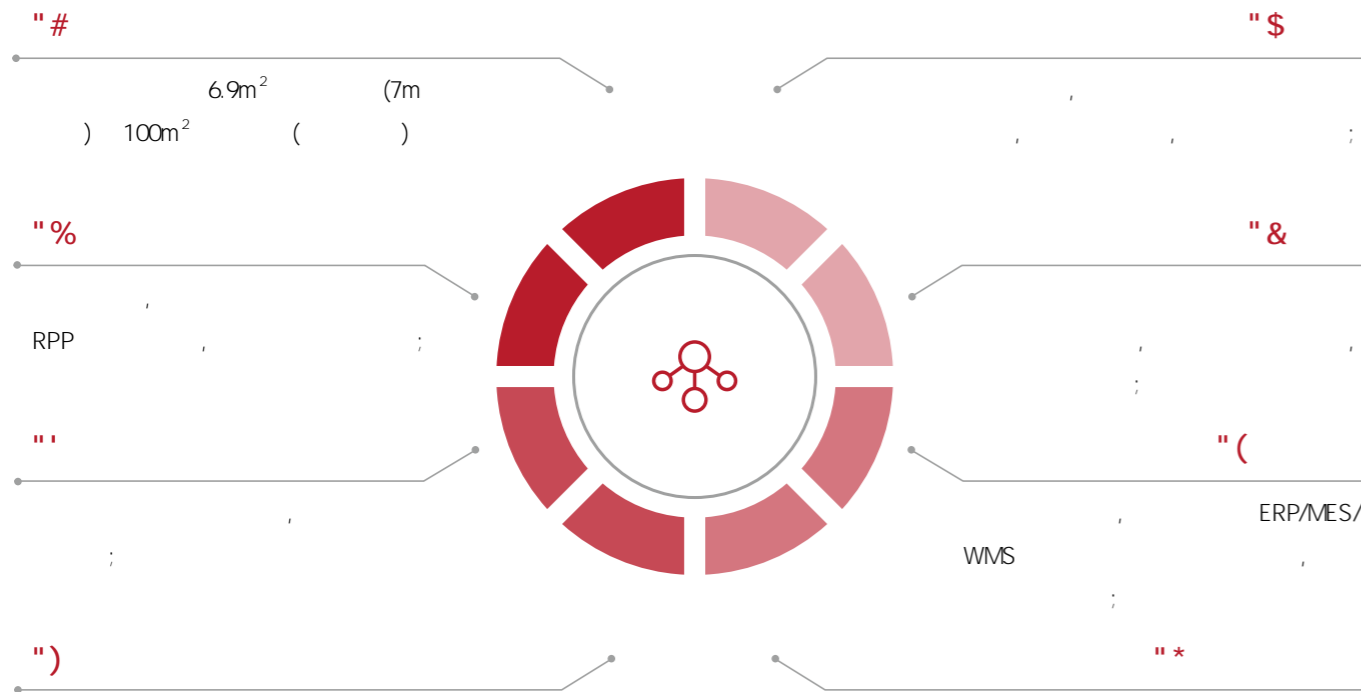
	(mm)	(mm)	(mm)	(mm)	(mm)	高 (mm)	(kg)		
VSL-S1250× 635-3000A	1250	635	50	1700	2500	3000-15000 +50	A 300 B 500 C 750		S: M:
VSL-M1250× 635-3000A	1250	635	50	1700	2500				
VSL-S1840× 788-5000A	1840	788	50	2290	2990				
VSL -M1840× 788-5000A	1840	788	50	2290	2990				
VSL -S2550× 880-5000A	2550	880	50	3000	3250				
VSL -M2550× 880-5000A	2550	880	50	3000	3250				
VSL -S3050× 788-5000A	3050	788	50	3500	2990				
VSL -M3050× 788-5000A	3050	788	50	3500	2990				



【技术参数】

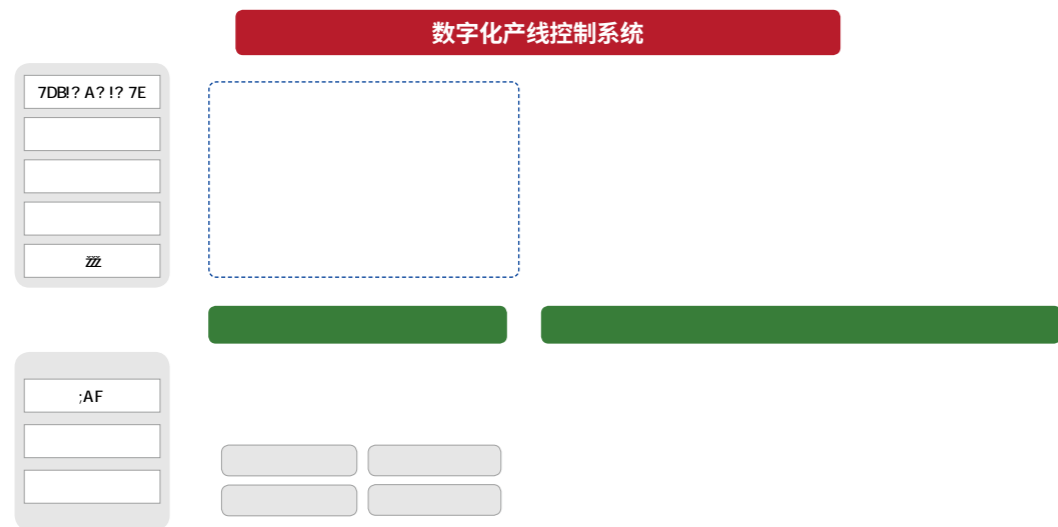
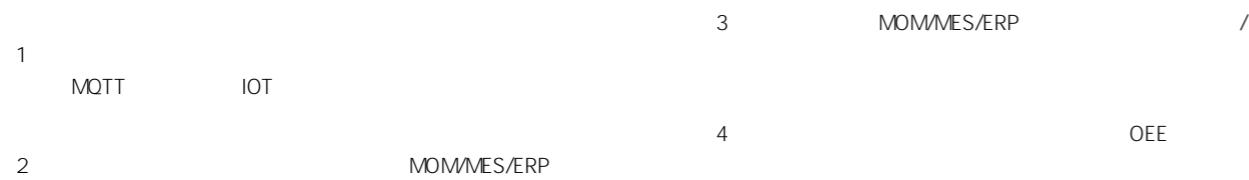
	0.5m/s	0.7m/s
	0.3m/s	0.45m/s
	50mm	
	880mm	
	600mm	
	380V± 10%	50HZ± 2%
	0	40
	95%	
	70dB	
*		

【特点】

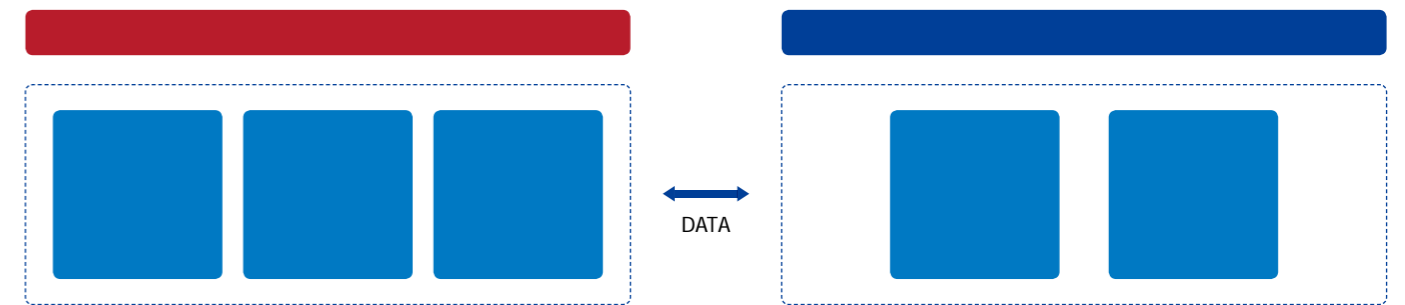


SOFTWARE

01



02



焊缝编号	当前速度	焊速速度	干伸长	焊丝电流	焊丝电压	X轴移	Y轴移	Z轴移	W轴移	P轴移
11001	1	34	18	300	0	0	0	0	0	0
11002	2	48	18	300	0	-400	700	-1000	0	0
11003	3	32	18	300	0	0	300	500	500	0
11004	1	44	18	300	0	0	0	0	0	0
11002	2	56	18	300	0	-500	600	-1000	0	0
11003	3	40	18	300	0	0	350	500	1000	0
11004	4	54	18	300	0	-700	1000	-1000	0	0
11005	5	60	18	300	0	-700	950	-1000	0	0
11006	6	38	18	300	0	0	600	1100	700	0
11001	1	45	18	300	0	0	0	0	0	0
11002	2	55	18	300	0	-500	600	-1000	0	0
11003	3	40	18	300	0	0	350	500	1000	0
11004	4	54	18	300	0	-700	1000	-1000	0	0
11005	5	60	18	300	0	-700	950	-1000	0	0
11006	6	45	18	300	0	0	600	1100	700	0
11007	7	60	18	300	0	-1000	1400	-1000	0	0
11008	8	50	18	300	0	-400	1400	0	0	0
11009	9	40	18	300	0	0	200	1400	1000	0

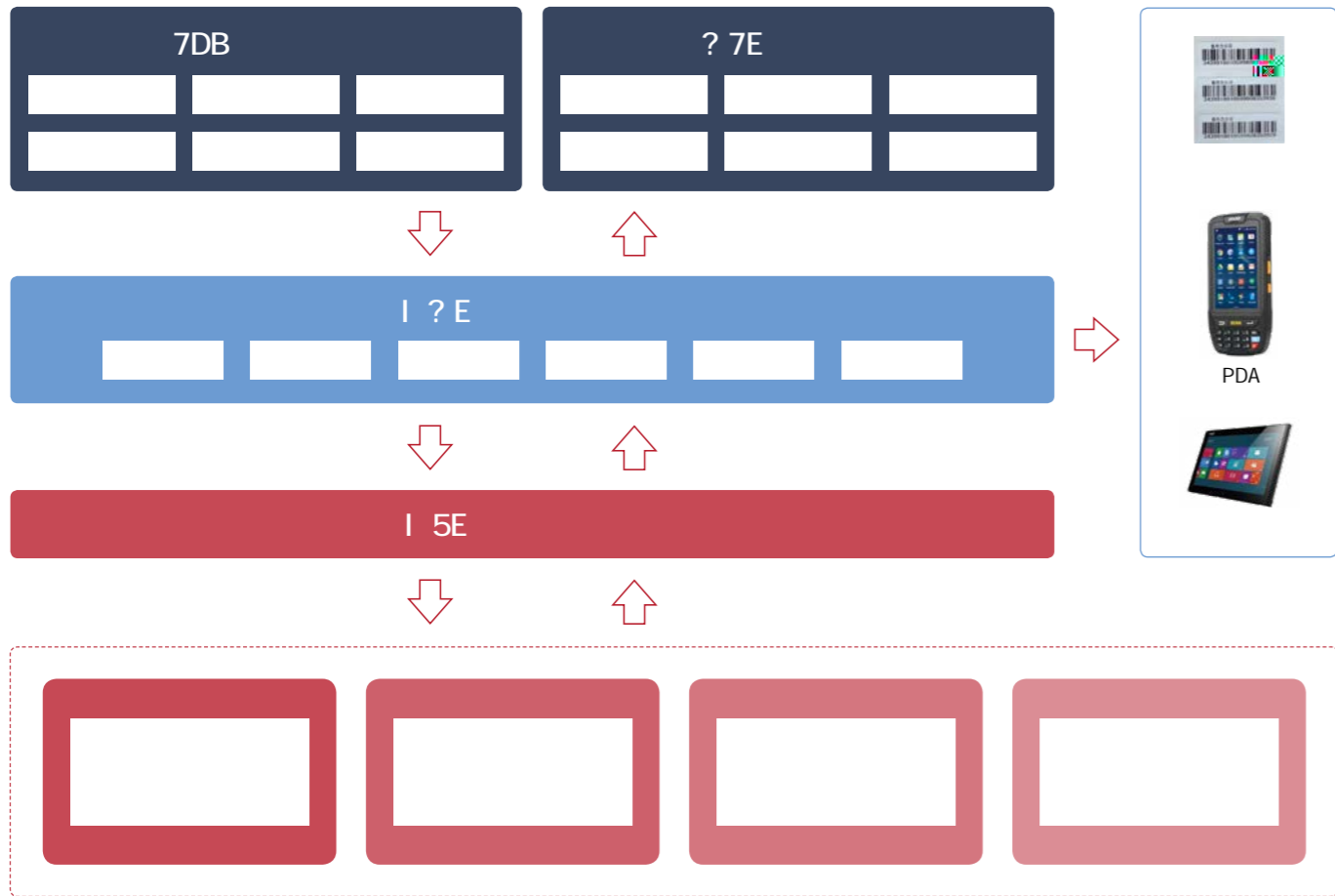
焊缝编号	焊缝类型	类型编号	接口角度	焊丝直径	焊丝长度
1	埋弧焊	1	10	3	10
2	埋弧焊	1	12	3	12
3	埋弧焊	1	13	3	13
4	埋弧焊	1	14	3	14
5	埋弧焊	1	16	4	16
6	埋弧焊	1	16	4	16
7	埋弧焊	1	18	6	18
8	埋弧焊	1	20	6	20
9	埋弧焊	1	22	11	22
10	埋弧焊	1	23	11	23
11	埋弧焊	1	24	14	24
12	单边坡口45° 埋弧	2	8	2	8
13	单边坡口45° 埋弧	2	10	2	10
14	单边坡口45° 埋弧	2	13	4	13
15	单边坡口45° 埋弧	2	14	4	14
16	单边坡口45° 埋弧	2	15	4	15
17	单边坡口45° 埋弧	2	16	4	16
18	单边坡口45° 埋弧	2	18	6	18
19	单边坡口45° 埋弧	2	20	6	20
20	单边坡口45° 埋弧	2	20	6	20



03

WMS

RFID



04

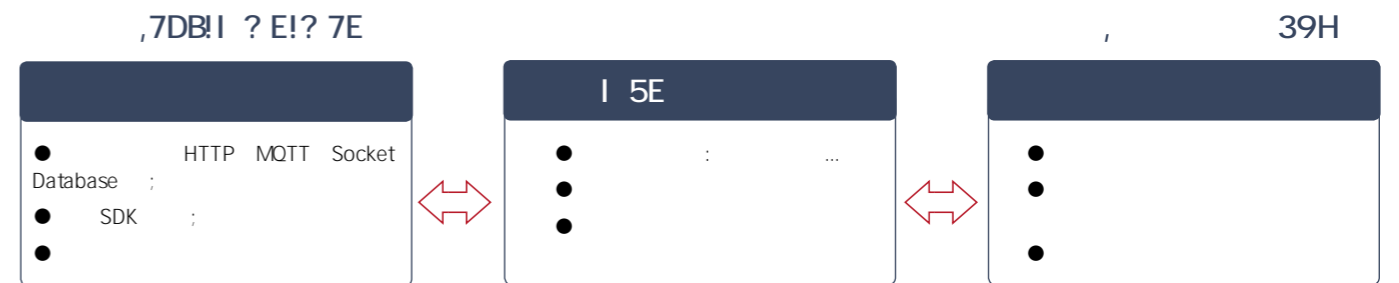
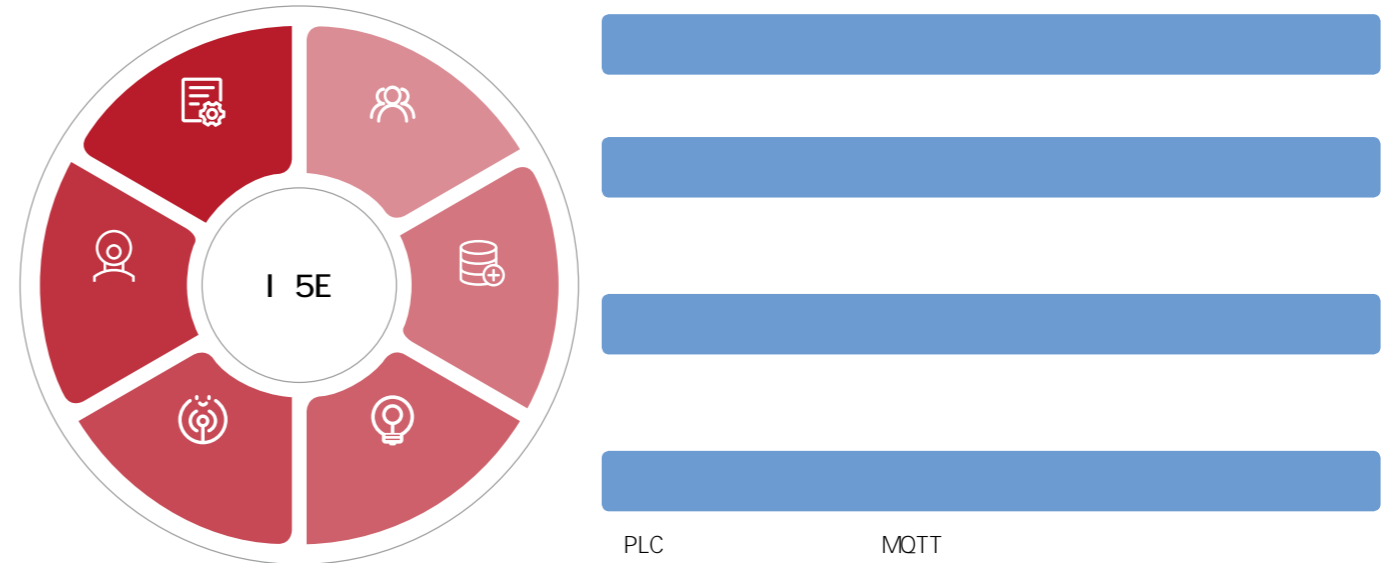
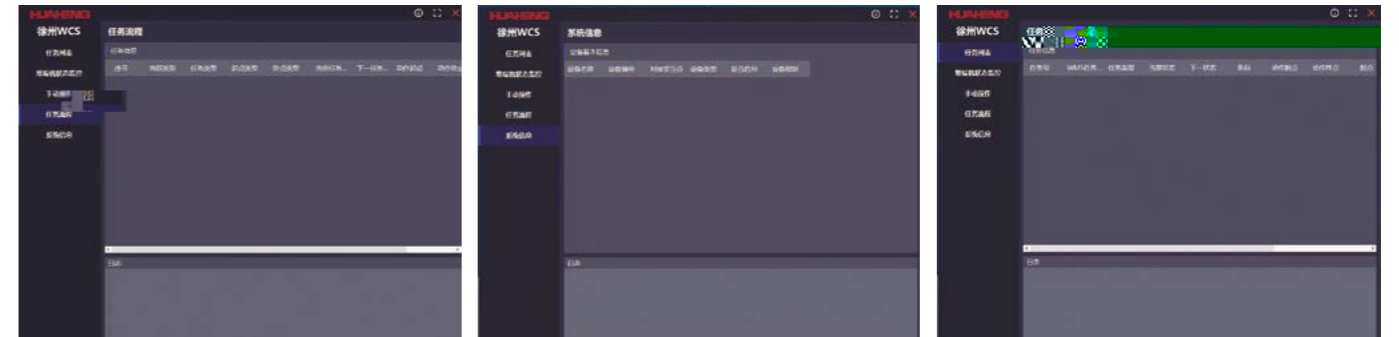
WCS

RGV AGV

C/S +B/S

WMS

WCS



OUR



01

requesting research. Data analysis, program design, system integration.



02

Software development, equipment manufacturing, electronic control design.



03

翩若惊鸿。婉若游龙。踟躇娉婷。
Project planning, equipment installation, system commissioning.



04

System trial operation, system acceptance, user training.



05

System maintenance, spare parts supply, regular operation.